

**ROCK RIVER
CHAPTER
NEWSLETTER**

January 2025
Volume 25
Issue No. 1
Chapter No. 3276

**INSIDE
THIS
ISSUE**

PG. 1

Board Directory
From the Director's Chair

PG. 2

Holiday Party Information

PG. 5

H.O.G. Connection



**ROCK RIVER
H.O.G. CHAPTER
#3276**

Rock River Board

DIRECTOR

Ken Kessenich
director@rockriverhog.com

ASSISTANT DIRECTOR

Carl Sappala
asst_director@rockriverhog.com

SECRETARY

Amy Dey
secretary@rockriverhog.com

TREASURER

David Urbaniak
treasurer@rockriverhog.com

HEAD ROAD CAPTAIN

Jim "Muddy" Waters
roadcaptain@rockriverhog.com

EDITOR/NEWSLETTER

Lori Kessenich
editor@rockriverhog.com

MEMBERSHIP

Betsy Boo
membership@rockriverhog.com

ACTIVITIES

Open

SAFETY OFFICER

Dan Stamman
safety@rockriverhog.com

HISTORIAN

Carl Sappala
historian@rockriverhog.com

ROCK WISCONSIN

Carl Sappala
asst_director@rockriverhog.com

SHINY SIDE UP

Candy Parr
shinysideup@rockriverhog.com

PHOTOGRAPHY

Theresa Leto
photographers@rockriverhog.com

WEBMASTER

Michael Draeger & Brandon Smith
webmaster@rockriverhog.com

H.O.G. Manager/Dealer Liaison

Leslie Smith
leslie.smith@wishd.com

MERCHANDISE OFFICER

Jodi Politowski
Jodi.Politowski@wishd.com

FROM THE DIRECTOR

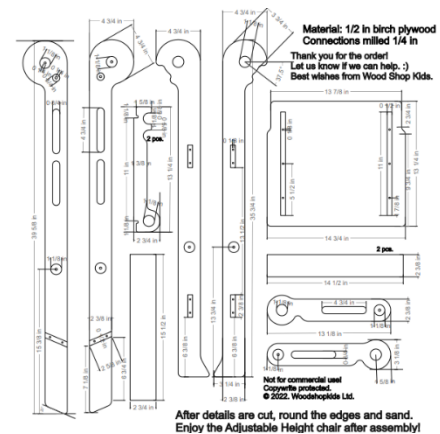
Ken Kessenich

Welcome to 2025! A new year has dawned and it can bring excitement, challenges, and learning opportunities.



What will be exciting to me in 2025? Lori and I are able to share time with friends in a new location that we have never been. We are heading to Cabo San Lucas this week. A long time ago as a college student I participated in a research trip that flew to San Diego and then traveled in 3 vans of college students and equipment down the west coast of the Baja peninsula almost to Scammon's Lagoon then crossing east to the Gulf of California and back north. My role was the Marine Invertebrate expert thus plenty of opportunity to learn, discover, and catalog numerous organisms. This trip we won't be sleeping in cots under the stars, rather a nice all inclusive with a SCUBA shop across the street. I'm looking forward to my farthest south diving in the Pacific.

A Christmas project that has now become a birthday project (that gives me more time!) has become a new challenge. Task: Make a Foldable Kitchen Helper for my granddaughter. Back in the day, I taught a 3-D CAD class to freshman in high school. If these plans I bought were turned into me by one of my freshman they would have been sent back to the drawing board to add all the missing dimensions. Construction not difficult; however, layout – OMG 😵.



Over the winter I'm having our dealership add a WHIM module to my Road Glide. Hopefully, this will provide me a wireless connection to my radio, CB, phone and Lori. I'm looking forward to learning how the Cardio PACKTALK EDGE works, only fearing a little of the learning curve. I'm enjoying learning more about our state and the nearby surrounding states planning rides for 2025, and I'm really looking forward to all we can do in our chapter this year.

So whatever may be new to you this year either via excitement, learning or challenges, may they all be as positive of experiences as they can be.

Happy New Year - Ken



ROAD CAPTAIN CORNER

Road Captain Corner

January was named for the Roman god Janus, known as the protector of gates and doorways, which symbolize beginnings and endings. Janus is depicted with two faces, one looking into the past, the other with the ability to see into the future. What a fitting symbol for this first day of the year; this month is our door into the new year.

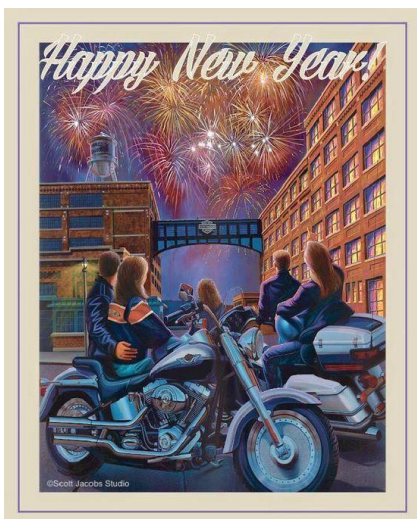
With that being said, I thought I would start you out with the following:

An older gentleman shuffled slowly into an ice cream parlor and pulled himself slowly, rather painfully looking, onto a stool. After catching his breath, he ordered a banana split supreme. The waitress smiled kindly at him, asking, "Crushed nuts?" The older gentleman replied, "No... arthritis."

As we start the New Year there are many exciting rides and events already on the calendar and numerous other things in the works. If you are a new member, check out the calendar. I am sure you will find enough things to keep you on your bike for as much or as little as you may want to ride. Now is the time to sit in front of the fireplace with a hot beverage and plan a trip or look for destinations to ride to on your bike.

Hope to see you at the next chapter meeting!

Jim "Muddy" Waters



HOLIDAY HOEDOWN

IT'S TIME TO SADDLE UP!



The Holiday Hoedown is almost here! Here's the lowdown on the hoedown:

WHEN: Saturday, February 1, 2025

WHERE: Elks Lodge in Waukesha

TIME: 6:00PM Arrival – Appetizers

6:45 – Dinner

10:30 – Last call for the bar

WHAT: Music, games with prizes, and just plenty of Hoedown fun!

Dress up if you like – jeans, cowboy boots, cowboy hat, jeans, bandanas, etc.

CAN'T WAIT TO GIDDY UP FOR A GOOD TIME!

MORE EVENTS TO COME

How great that we have two members who have taken on the role of planning activities (with your help, of course!) for our chapter. Kris Droster and Theresa Leto say "Stay Tuned" for fun and exciting events to come in the near future.

FROM OUR HISTORIAN

By: Betsy Boos

NEW MEMBERS – Welcome!

Wayne Grahm
Richard Radsclag
David Nelson

ANNIVERSARIES

2 YEAR

Jim Konkel
Michelle Fassbender
Valerie Marek
Matthew Rebek

5 YEAR

Brenda Coartney
Steve Coartney
Walter Conley
Pat Downing
Tom Downing
Rob Fehl
Tracey Iverson
Doug Klanecky
Pete Lescreiner
Brenda Loepfe
Mark Loepfe
Deb Michael
Gary Michael
Jodi Politowski
Thomas Rourke
Richard Wagner

10 YEAR

Pete Puetz

OUR NEXT CHAPTER MEETING

WHEN: Tuesday, January 21, 2025
WHERE: The Ingleside
TIME: 6:00 – Social Hour
7:00 - Meeting

Happy New Year!

This is what we are looking at for 50/50 volunteers this year.

Jan

1. Candy
2. Michelle M

Feb

1. Dawn M
- 2.

March

1. John Patrick
2. Cindy

April

- 1.
- 2.

May

- 1.
- 2.

June

- 1.
- 2.

July

1. Dawn M
- 2.

Aug

- 1.
- 2.

Sept

- 1.
- 2.

Oct

- 1.
- 2.

Nov

- 1.
- 2.

Dec

- 1.
- 2.



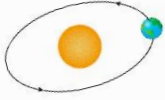
As you can see, we are in need of volunteers. The chapter is only as strong as its members. Please consider signing up for one shift, 45 minutes to an hour.

There are 8760 hours in a year; all we need is one of those hours to help pay for the hall that we meet in every month. That leaves you with 8759 hours left:).

Sign up sheet will be next to the raffle drum.

See you at the meeting.

Theresa



Ready for another lap around the Sun?

I am writing this on New Years Day and like most people I am thinking back to all my memories of 2024. Like everyone else, I have delt with challenges I didn't always expect, achieved working out the details of Dealership Rides and Road Captain Day Rides. some goals I had set, and fell short of some hopes and dreams that will keep me motivated well into 2025. The next couple of months are always interesting as I watch the Chapter Members Involved with Rock Wisconsin plan out the overnight rides for this year and I work with fellow Road Captains to start

As for my responsibilities as the Safety Officer/ Road Captain, I look forward to putting together a ride from the Dealership to the Abate of Wisconsin, Waukesha County 1F "Knock the Rust Off" event on April 26th. This is a great event to help get those slow speed riding skills back in shape after the long winter break. Last years event had a good turnout and it was well worth attending, even with some early morning gloomy weather.

I also look forward to hosting a Chapter event, "Group Ride 101" at the dealership on Saturday May 18th. This will be a fun event for all levels of experienced riders. I hope to touch on what is expected of Chapter members during a Chapter group ride and basic group riding etiquette. After that, weather permitting, I hope to play some light hearted biker games with our motorcycles that will not only be fun but also help you expand your riding skills in a safe environment.

As we enter into the heart of the winter season, I wish you all safe travels and remind you to take it easy moving that snow. Safety reminder-

snowblowers don't know the difference between ice/snow and fingers. Use the snowblower discharge cleanout stick!

Be Safe everyone.
Safety Officer
Dan Stammen

ABATE NEWS

Happy New Year from ABATE 1F Waukesha. Even though our riding season is over, ABATE is still fighting for our rights to ride free. But all work and no play isn't much fun. So we are having our 3rd annual Curling Event and bring a dish to pass lunch date. It will be on Saturday, January 25th from 9:00am till 12 noon. The location is Kettle Moraine Curling Club. 2630 Oakwood Rd, Hartland WI. Cost is \$20.00 a person (Please bring Cash). There will be instructors to help first timers out. It is a way to meet ABATE members and have some fun.

Now onto the fighting for our rights to ride free. Our most important day of the year is Lobby Day at our Capital in Madison. It will be on Thursday, February 13th. This is our chance to meet our newly elected representatives and inform them of our concerns effecting our rights to ride. For those who have attended you know what a great experience it is. We will be having a bus to transport us there and back. More info will be coming in the future weeks. To find out more information about ABATE you can check out our 1F's facebook page. Don't miss out on our opportunity to make a difference. See you on the bus.

From our ABATE family to yours, a Happy New Year! Let's Be Safe Out There!

May God Bless you. May God Bless America.

Waukesha Strong!

BuellBob.



H.O.G Connection

January 2025

By Rob Fehl

One of my responsibilities is to keep you informed on all things HOG related and I would like to use this column to do just that! Whether it is just information being passed along about HOG events and programs or if you have questions regarding membership, I will try to find the answers to help you out.

Ride 365

For 2025, H.O.G. is making some changes to the Ride 365 program based on feedback from members, including expanding the popular 10 rides challenge to 15 for '25. Participants will receive an exclusive challenge coin for each destination visited.

To participate in the challenge, members simply visit the designated photo checkpoint for each destination, snap a photo showing the cover of the 2025 Membership Guide, and submit it digitally through their member profile on members.hog.com. Members who visit any 10 of the 15 destinations receive credit for completing the challenge.

15 for '25 Ride Destinations

- Manzanar Nat'l Historic Site, Independence, CA
- Smiling Peanut, Plains, GA
- Potato Capital of the World, Blackfoot, ID
- **Hog Capital of the World, Kewanee, IL**
- World's Largest Ball of Twine, Cawker City, KS
- Town of Hell, Hell, MI
- Lynyrd Skynyrd Monument, Magnolia, MS
- World's Largest Buffalo Statue, Jamestown, ND
- National Memorial Arch, King of Prussia, PA
- South of the Border, Hamer, SC
- Oark General Store, Oark, AR
- Narrow Bridge at Lake Chocorua, Tamworth, NH
- World's Largest Teapot, Chester, WV
- Bishop Castle, Rye, CO
- Mount Rushmore Nat'l Monument, Keystone, SD

2025 H.O.G. Touring Rallies

- Run to Daytona H.O.G. Touring Rally, February 23-27, Sunrise, FL to Leesburg, FL
- Spring Heat in Arizona H.O.G. Touring Rally, March 28-April 1, Albuquerque, NM to Apache, AZ
- Texas Hill Country H.O.G. Touring Rally, May 7-10, Round Rock, TX to San Antonio, TX
- Great River Lower H.O.G. Touring Rally, May 19-24, New Orleans, LA to St. Louis, MO
- Roaming the Black Hills H.O.G. Touring Rally, June 4-9, Cody, WY to Deadwood, SD
- Great River Upper H.O.G. Touring Rally, August 25-30, Fargo, ND to St. Louis, MO
- Tour of Valor H.O.G. Touring Rally, October 14-20, Hughesville, MD to Dayton, OH

2025 H.O.G. Regional Rallies

- Gulf Coast H.O.G. Rally
May 1-3, Beaumont, TX
- Mid-America H.O.G. Rally
June 5-7, Springfield, MO
- Appalachian Thunder H.O.G. Rally
June 25-28, Cumberland, MD
- **Great Lakes H.O.G. Rally**
June 26-28, Marquette, MI
- Pacific Northwest H.O.G. Rally
July 17-19, Spokane, WA
- Valley to the Mountains H.O.G. Rally
August 14-16, Monticello, NY
- Iron Adventure H.O.G. Rally
August 21-23, Bartlett, NH
- Rocky Mountain H.O.G. Rally
September 11-13, Pikes Peak, CO
- Golden State H.O.G. Rally
October 2-4, Fresno, CA

2025 H.O.G. Check-Ins

- Daytona Beach Bike Week
March 1-8, Daytona Beach, FL
- Laconia Motorcycle Week
June 14-21, Laconia, NH
- Sturgis Motorcycle Rally
August 1-8, Sturgis, SD



FROM THE MEMBERSHIP DESK

Sign ups will still be taken at the January chapter meeting. Don't forget there are **two** forms to fill out and the membership fee is \$20 through January 31, 2025.

ADVERTISING OPPORTUNITY

As a chapter member, you have the opportunity to advertise in our monthly newsletter for the cost of \$75 for calendar year. If you are interested, please bring a business card and money and see Lori Kessenich at the meeting. See newsletters from 2023 and 2024 for an example of the page, which is at the end of the newsletter.

CHRISTMAS THANKS

Thank you to Wisconsin Harley Davidson for hosting our December chapter meeting at the dealership. Thank you also to all of you who brought desserts to share. Here's a wonderful picture from that evening!



Hello to everyone! Happy New Year from the Rock River HOG Chapter Southern Command Center!

We hope this finds everyone well and getting ready for riding in the coming year. Kitty and I didn't get a chance to say any goodbyes, so hopefully this will fit the bill. We had a VERY hectic and busy couple of months. First we put the house on the market and it sold in less than 3 days. Then we had an already planned, 2 week motorcycle trip to Wyoming and Montana. Gorgeous scenery and great riding-if you ever get the chance, do it. Returning from that, since the house was sold, we now needed to find a place to live and it was off to Tennessee for a whirlwind 3 days. Then packing up and getting down here. When they heard about all this going on, someone compared us to a couple of twenty-somethings charging ahead with no plan, but the Good Lord looks out for drunks and fools (and apparently bikers too) and here we are.

We've heard from some of you and thank you for the good wishes. That's the biggest thing, leaving all the friends we've made at the Rock River Chapter. Among the things we've gotten accomplished are joining a local HOG Chapter. I may be a familiar face to y'all, but it was a strange feeling to be the one being introduced as a new member!

We hope that we can re-connect in the future, maybe joining a Rock Wisconsin Ride, so that this won't be a good bye, but 'until we see you again'.

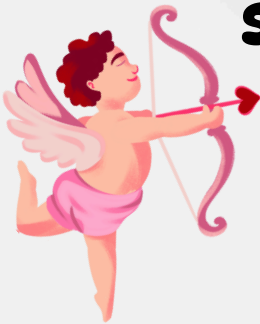
Oh and to answer that question (it really was asked): There is tennis in Tennessee.

Carl & Kitty





**SATURDAY JANUARY 25TH
CUSTOMER APPRECIATION DAY
11 AM - 1 PM**



**SATURDAY FEBRUARY 8TH
SIP N SHOP
11 AM - 1 PM**

Don't worry
we're adding
more, so stay
tuned!

**SATURDAY MARCH 15TH
PRE ST.PATRICK'S DAY SHENANIGANS
11 AM - 1 PM**



- *ASM ADVANCED CLASS
- *SUPER SHOX WORKSHOP
- *CARDO WORKSHOP

DATES TO BE ANNOUNCED SHORTLY

**WE'RE LOOKING TO DO MORE WORKSHOPS, SO WE
WANT TO KNOW - WHAT TYPES OF WORKSHOPS
WOULD YOU LIKE TO SEE US DO? IS THERE
PRODUCT YOU WANT TO LEARN ABOUT?**



email your ideas to
leslie.smith@wishd.com

As always be sure to follow us on Facebook and Instagram
for all updates and additions to our 2025 Calendar!

